

B 220kV

%

%%

\$")

%&

\$")

6

%'

$$U = \frac{|\dot{U}_A \dot{U}_B \dot{U}_C|}{U_e}$$

)\$<nw)!

%(

&)\$

%)

%

%*

&)aa⁸

%+

\$")

%,

%-

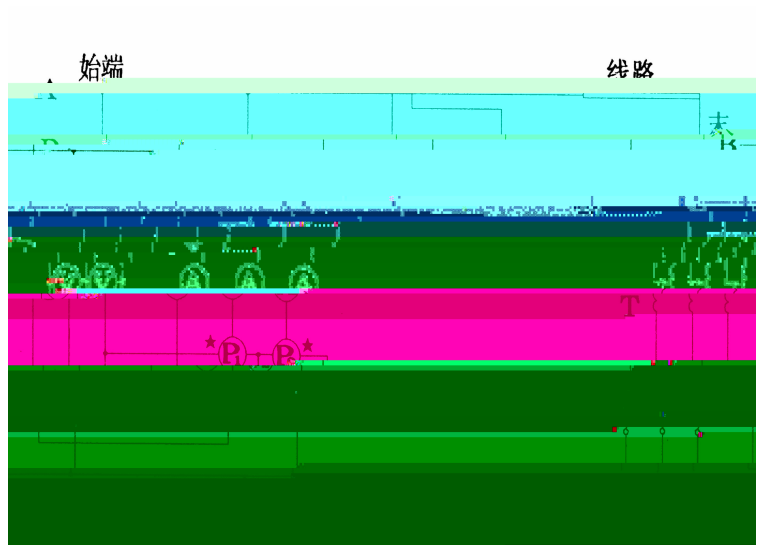
7JH

7JH

;=G

DH

%%\$



&

&" %

6%

$$I \frac{I_A I_B I_C}{}$$

$$U \frac{U_{AB} U_{BC} U_{CA}}{}$$

P P P fl t

6%

$$R \frac{P}{I} \text{ fl } \# \text{ t}$$

$$Z \frac{U}{\sqrt{I}} \text{ fl } \# \text{ t}$$

$$X \sqrt{Z R} \text{ fl } \# \text{ t}$$

⊗%

⊗&

&\$\$

\$" \$-Z^{" (# #

\$" \$*Z^{" ' # #

\$" \$' Z^{" & # #

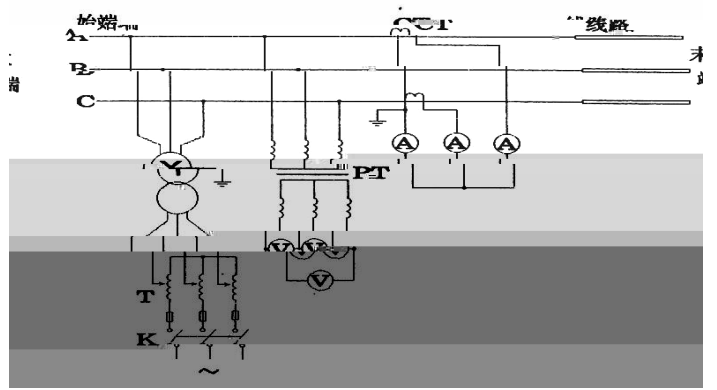
$$tg \frac{X}{R} \text{ +\$V ,)V}$$

&" &

6& .

&\$\$

U



&" (

$$Y = \frac{I}{U}$$

$$B = Y_0$$

$$C = \frac{B}{f}$$

#

* %\$

M1 \$" *

\$", LM

M2M

&")

6)

\$.

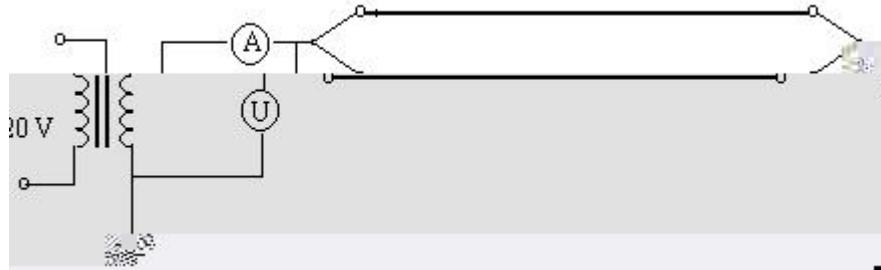
* A A A A



6)

$$\begin{aligned}
 U & \sqrt{U U \quad U \quad U} \\
 R & \frac{U}{I} \quad \# \\
 X & \frac{U}{I} \quad \# \\
 Z & \sqrt{R \quad X} \quad \#
 \end{aligned}$$

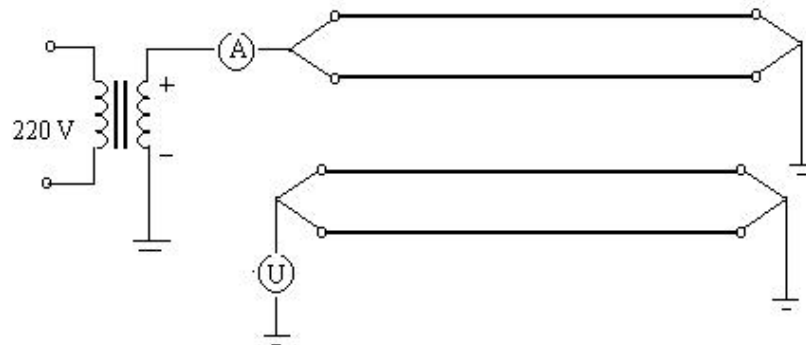
.)\$\$ # fl 7



$$C = \frac{I}{U} y \%$$$

* %\$

\$" * \$" , 7 C



$$Z_H = \frac{U}{I}$$

$$X_M = Z_M$$

\$" (! \$" * X fl X

7

(
("%

("'
(" "% \$" &) » &) \$» w &
(" "% & "\$ \$" Ç : %Ç : w &
(" "' "\$" %' * \$V w &
(" "% (\$5

&5

("(
(")

(" *
(" * "%

(" * "&
(" * "'
(" * "(
)
) "%
) "&

&) I

fI %\$ \$I

U

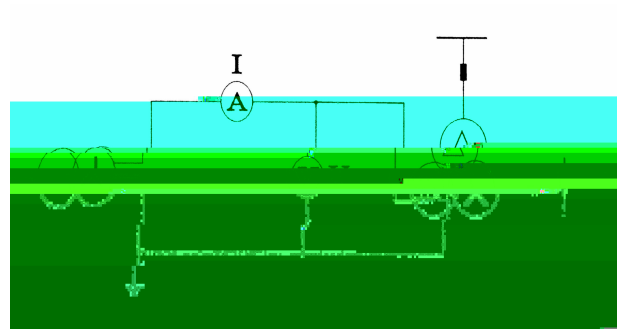
V

%\$ \$I

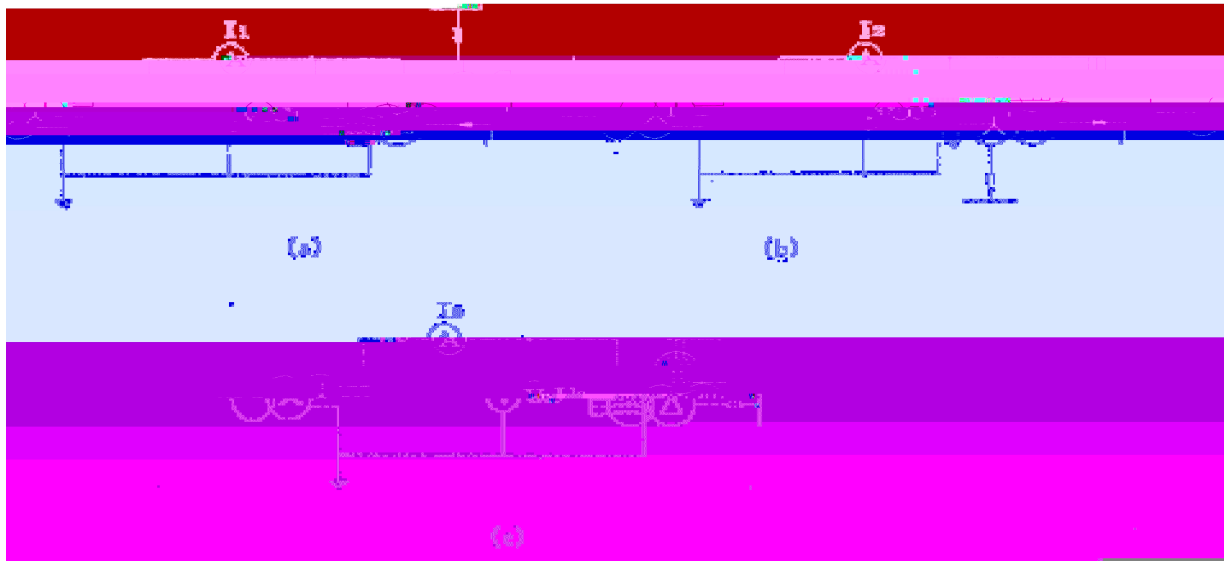
W

X"

% &



6%%M#M# M# #M M# #



6% $M_{\#}N_{\#}$



6% $M_{\#}N_{\#}$

fl V

X

W

$X_{\%}$ flU

$X_{\&}$

!

$$d \frac{U}{I} \quad \#$$

$$X \quad d \quad \sqrt{d \quad d \quad d} \quad \#$$

$$X \quad d \quad \sqrt{d \quad d \quad d} \quad \#$$

$$X \quad \sqrt{d \quad d \quad d} \quad \#$$

U V W X

M#M#

⊙ X· X_g X_{% & Z} L L L

⊙

d 1 fl \$" + \$" - ȷ X X

d 1 fl \$" + \$" - ȷ X X

X 2 L X 0\$" *L